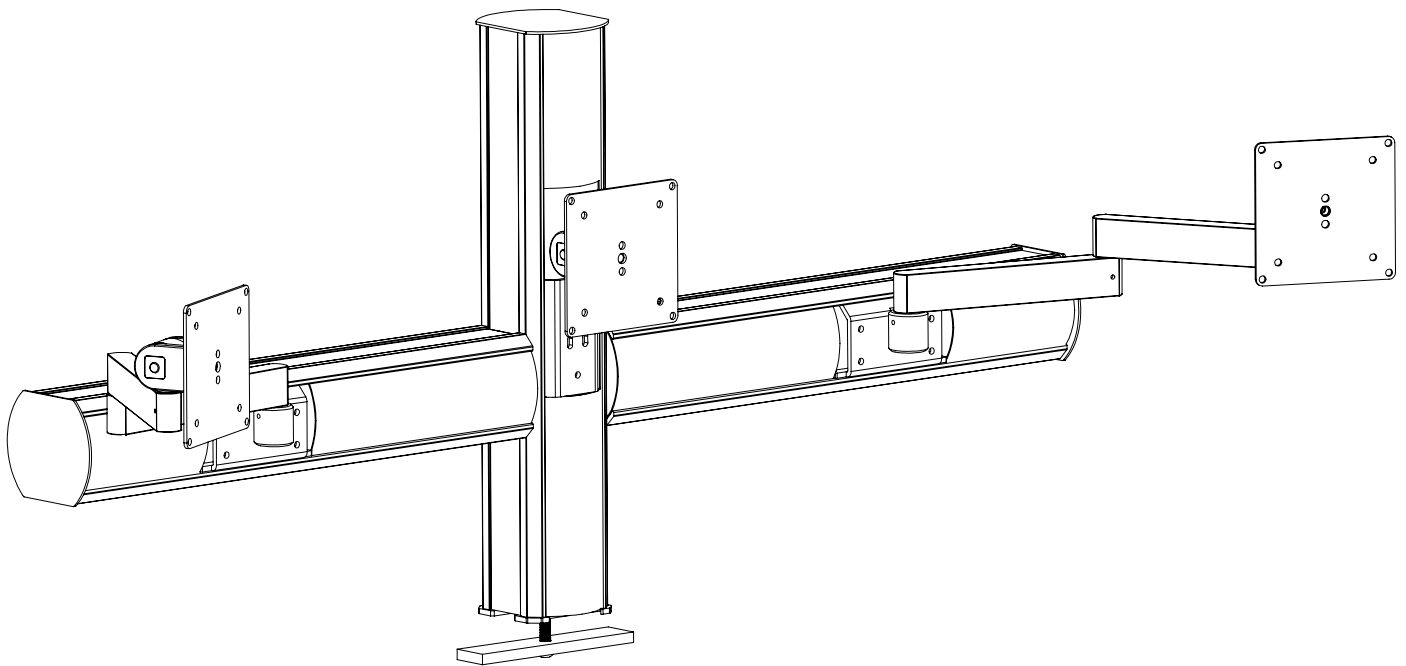
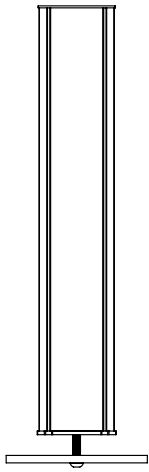


WINGS

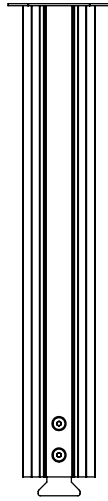


CONTENT



1x

WITH CLAMP
OR BUSHING



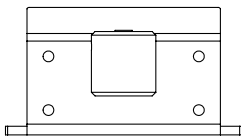
2x



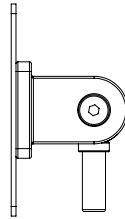
COVER SMALL



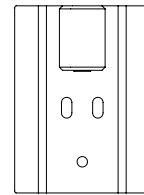
COVER LARGE



2x

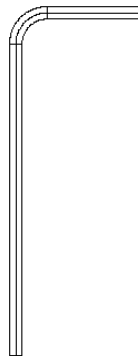


3x

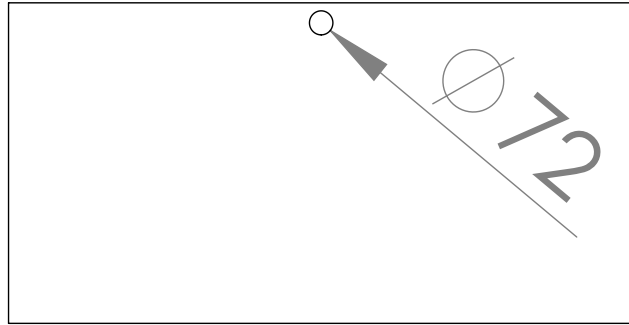
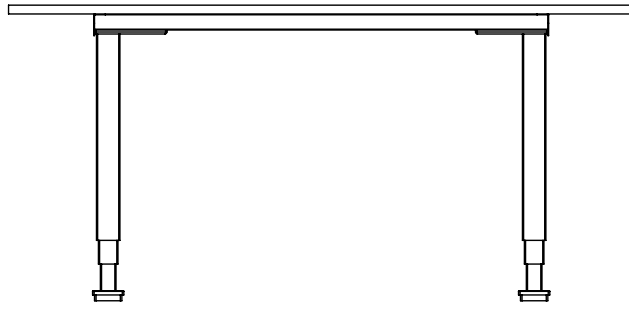


1x

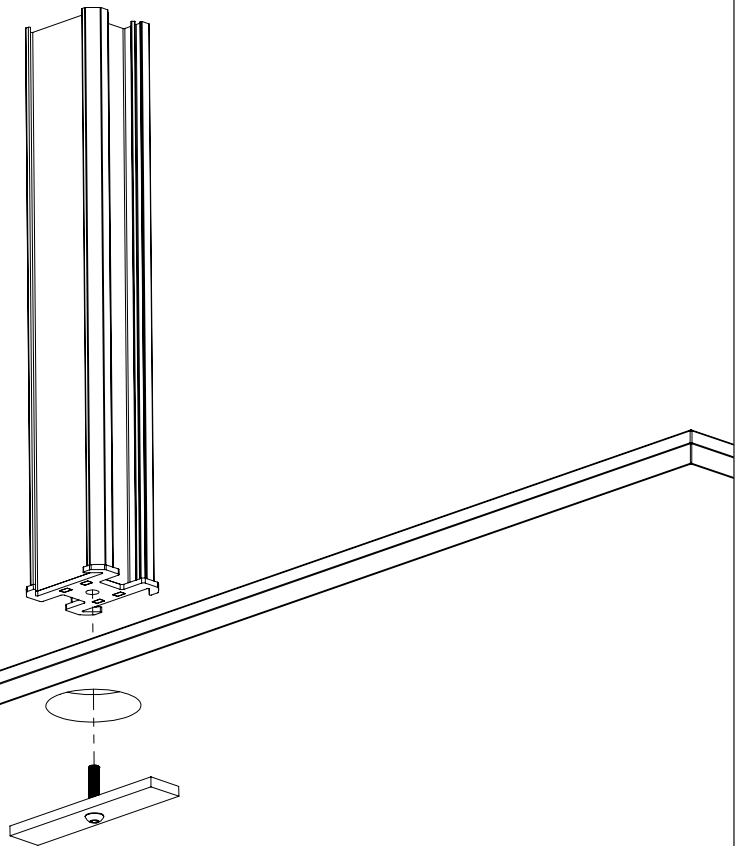
USE



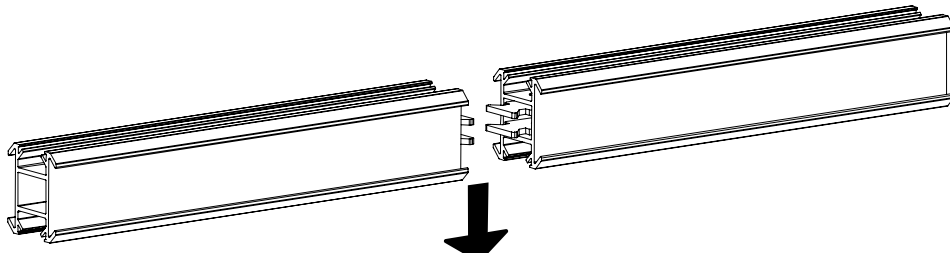
1



2

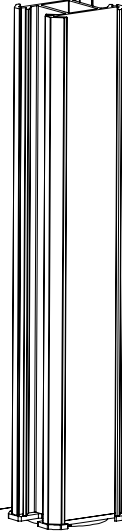


3

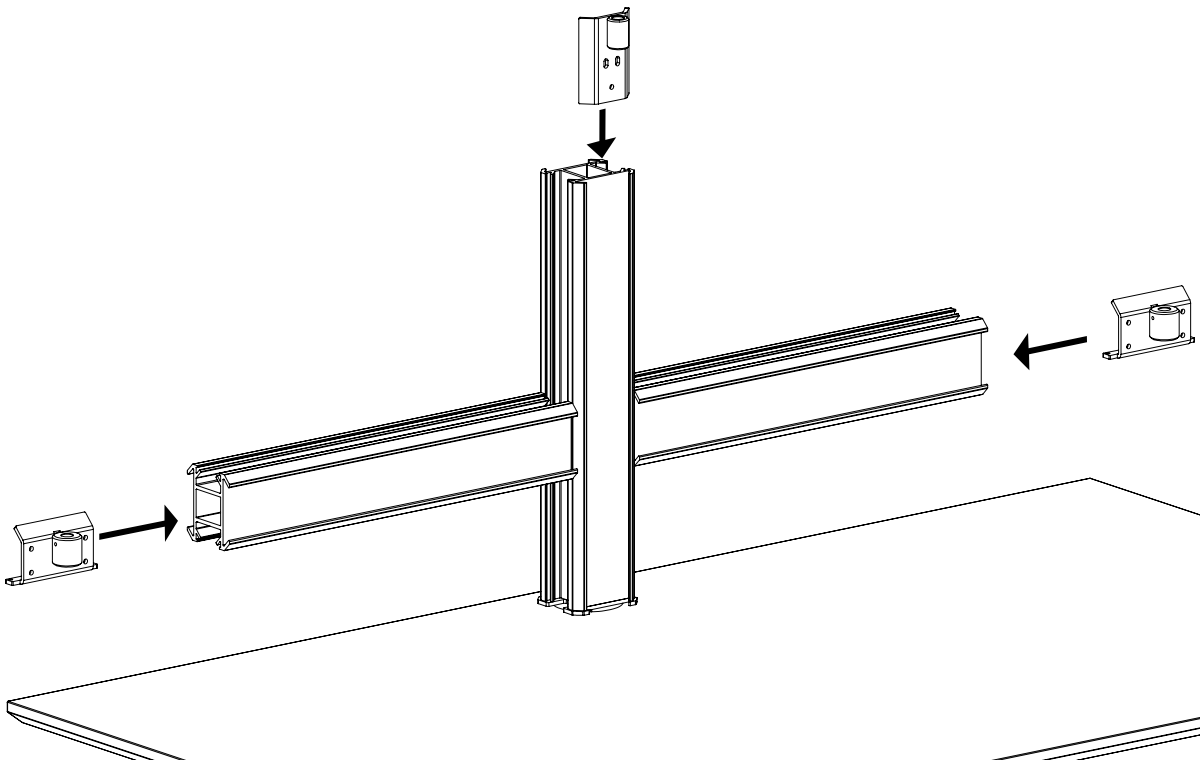


SLIDE THE ARMS DOWN THROUGH GROOVES AND FASTEN THE SCREWS WHEN THE ARMS ARE IN THE DESIRED HIGHT.

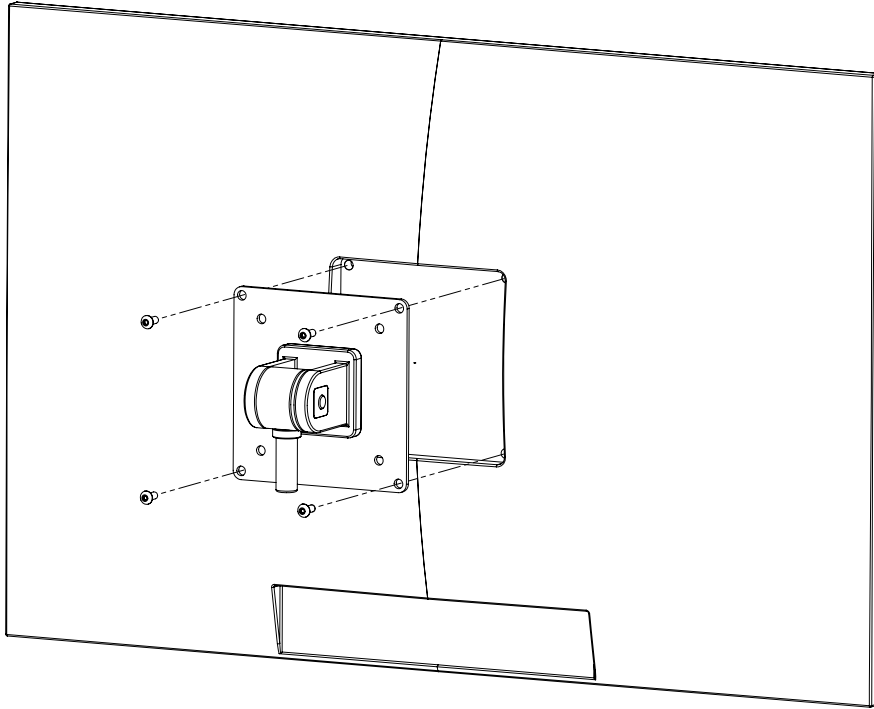
OBS! DO NOT FASTEN THE SCREWS TO TIGHT, BECAUSE YOU MUST BE ABLE TO ADJUST THE MONITORS IN STEP 6.



4

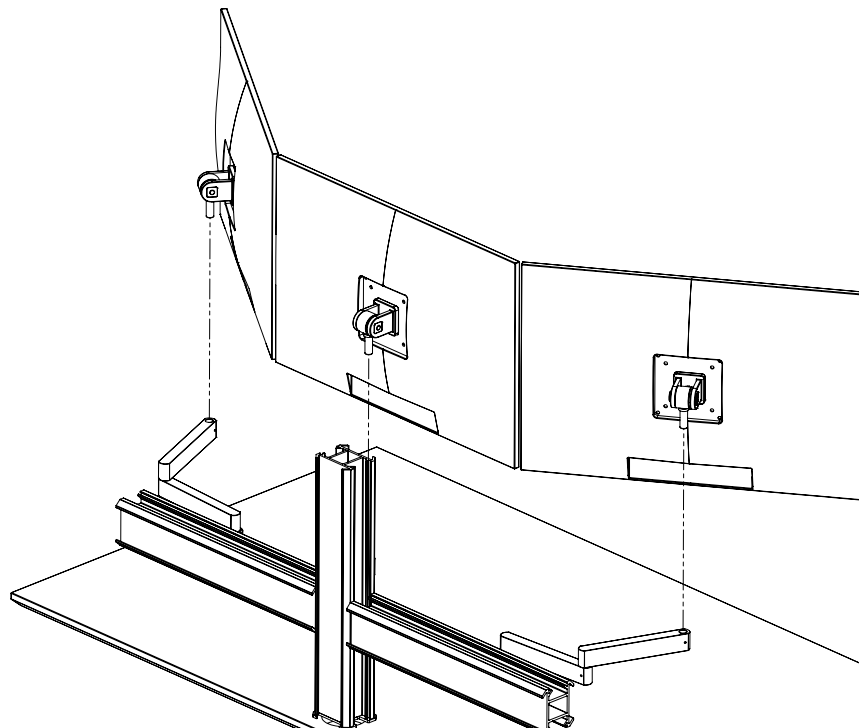


5



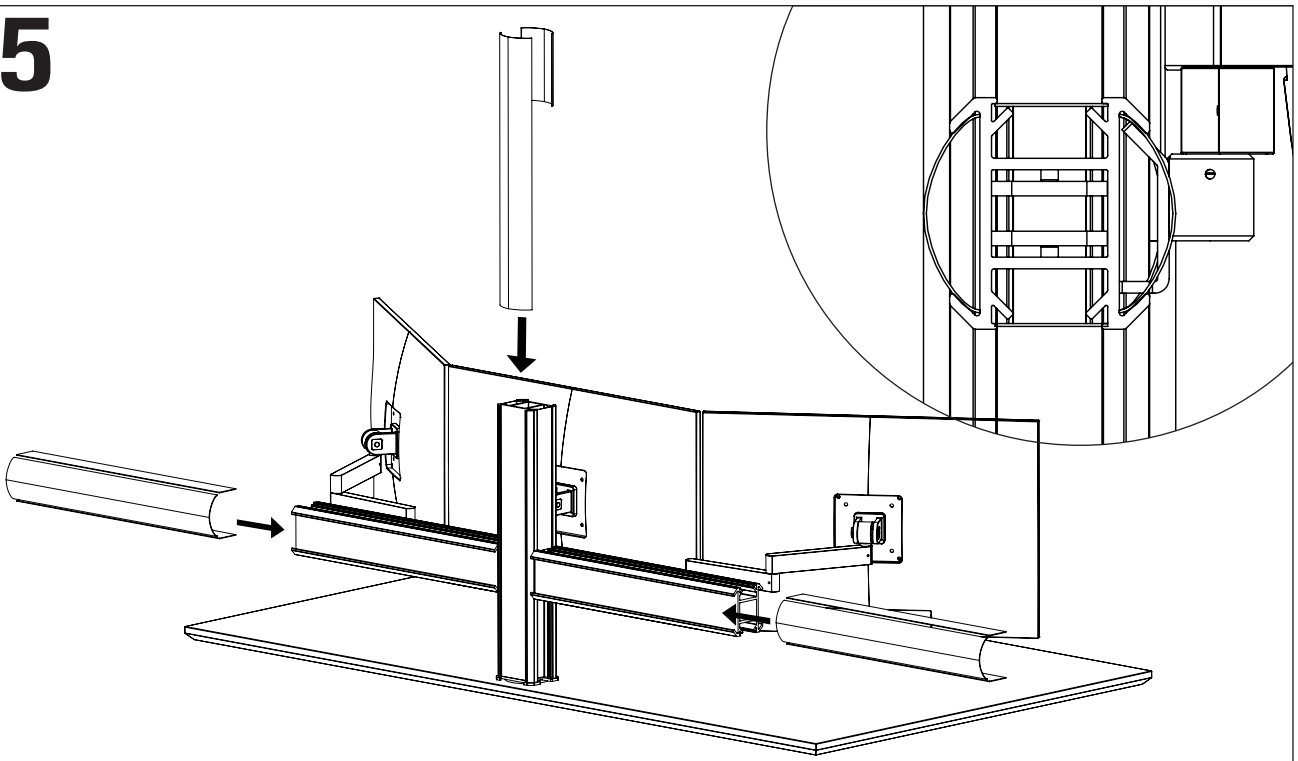
FASTEN YOUR MONITORS TO THE VESA MOUNTS.

6



PLACE YOUR MONITORS AND TIGHTEN THE ARMS ONE MORE TIME WHEN THE MONITORS ARE IN LINE.

5



CUT THE PLASTIC COVERS IN THE RIGHT LENGTH AND SLIDE THEM IN POSITION THROUGH THE GROOVES.

6

