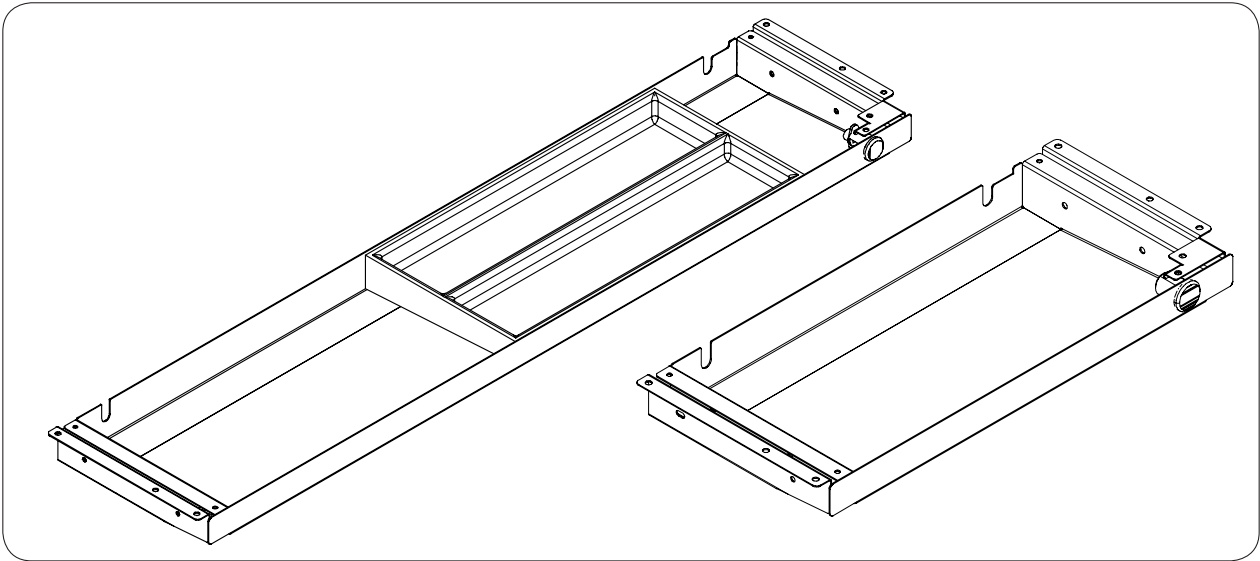


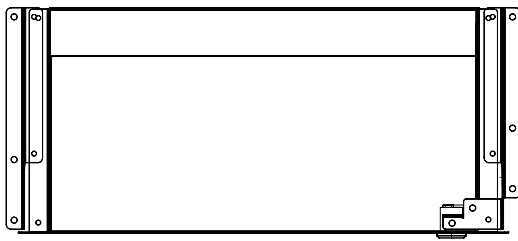
ULTRA PEN - SMALL / LARGE lockable

Art. no.: Small: 4042-L / 4043-L / 4045-L

Large: 4040-L / 4040-W-L / 4041-L



CONTENT:

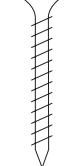


1x



2x

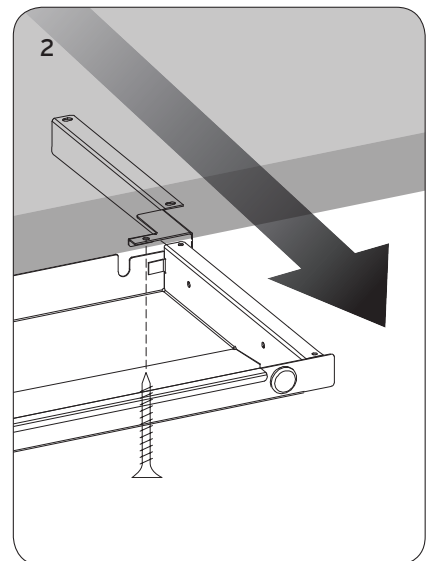
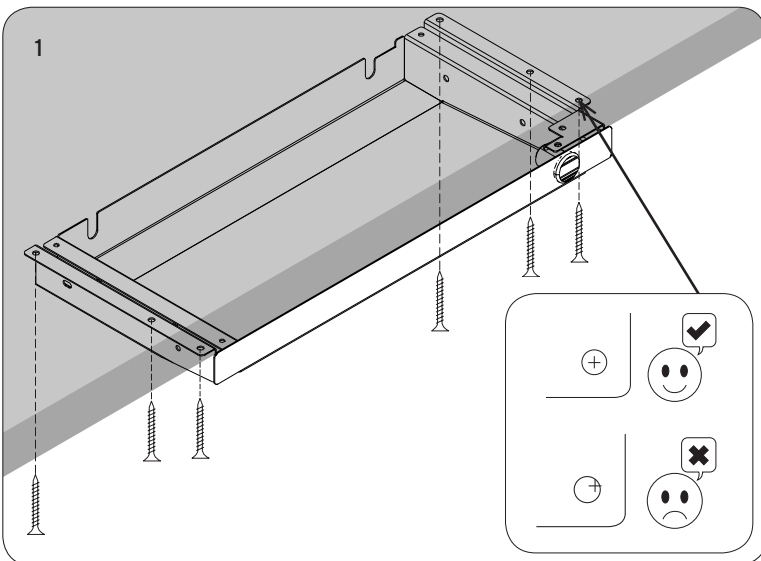
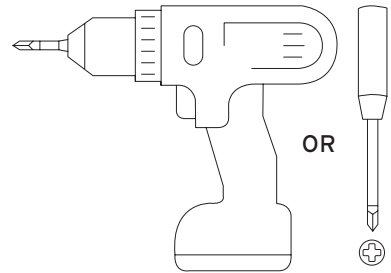
4 mm



8x

16 mm

USE:



PJ PRODUCTION

WWW.PJ-PRODUCTION.DK

T: +45 8681 2375

/

F: +45 8681 1993

/

M: info@pj-production.dk