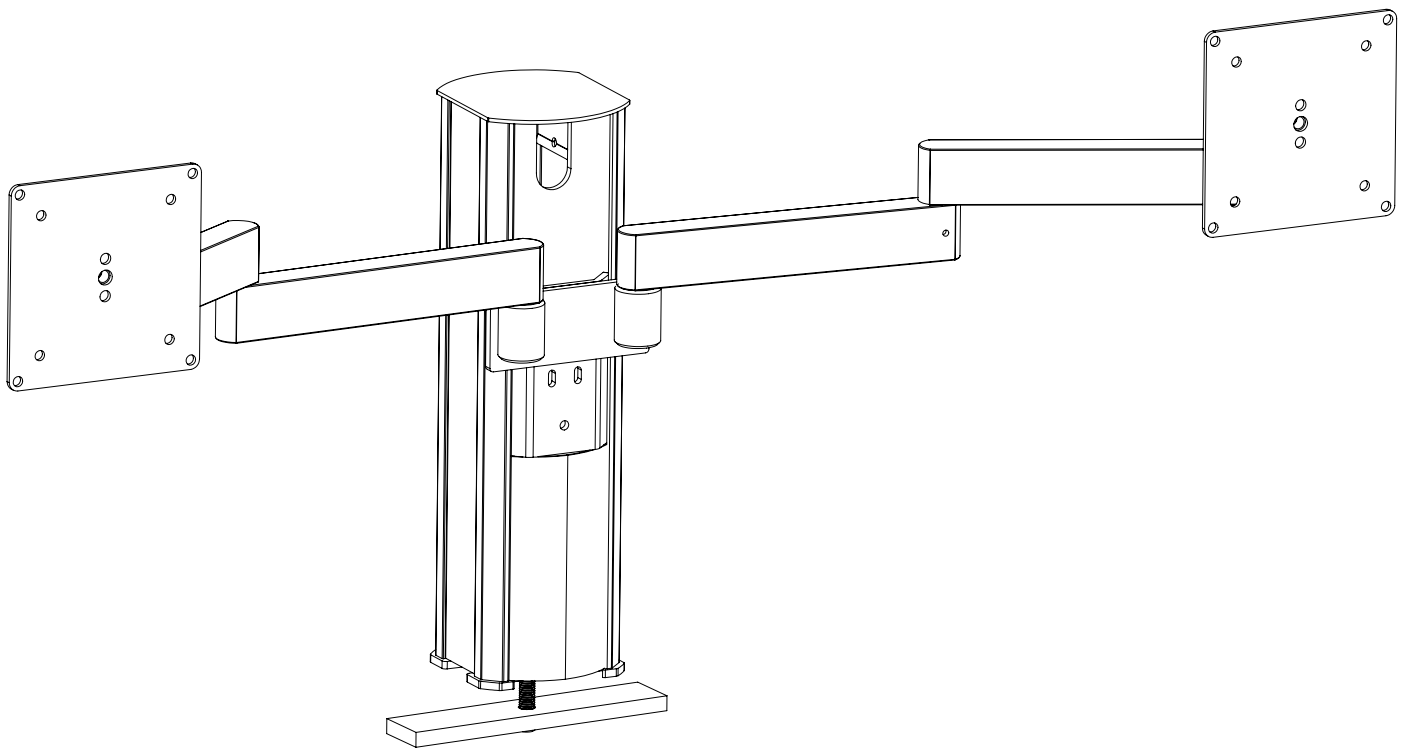
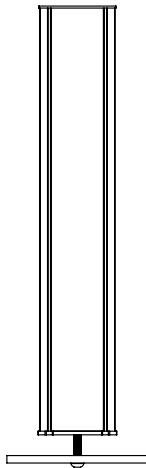


# MONITOR POLE



# CONTENT



**1x**

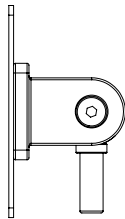
WITH CLAMP  
OR BUSHING



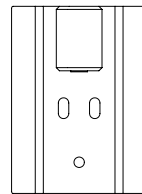
COVER SMALL



COVER LARGE

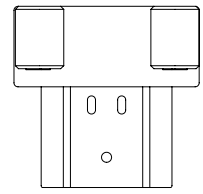


**2x/1x**



**1x**

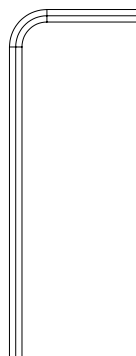
For 1 monitor



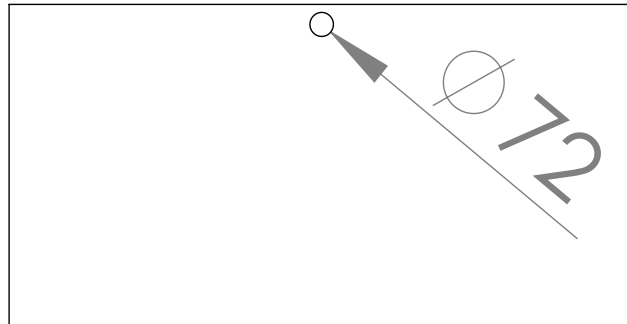
**1x**

For 2 monitors

# USE

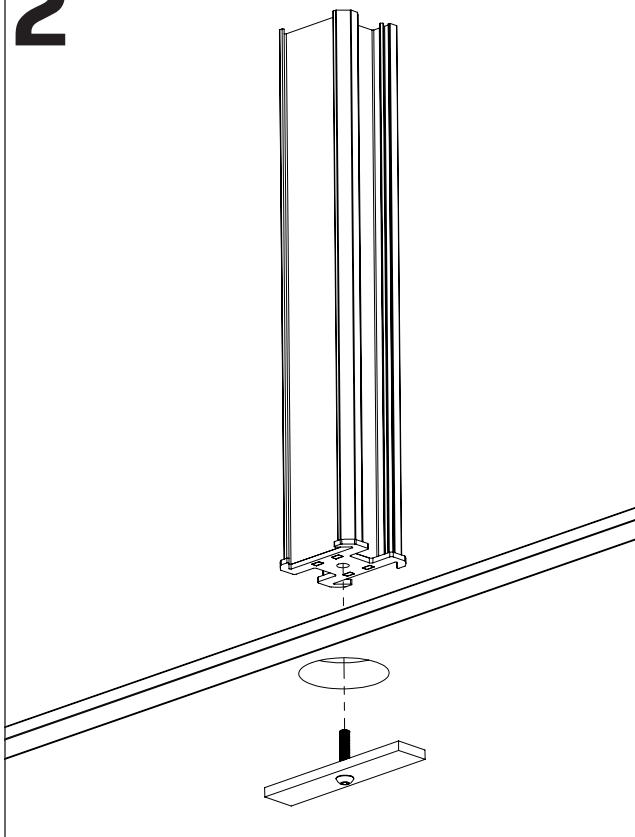


**1**



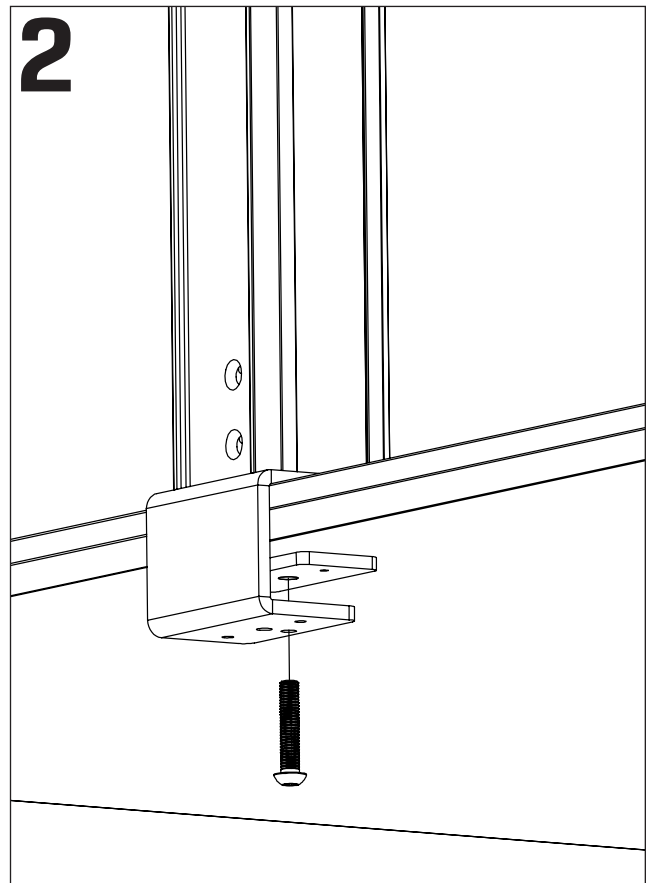
FOR BUSHING DRILL A 72 MM HOLE.

**2**



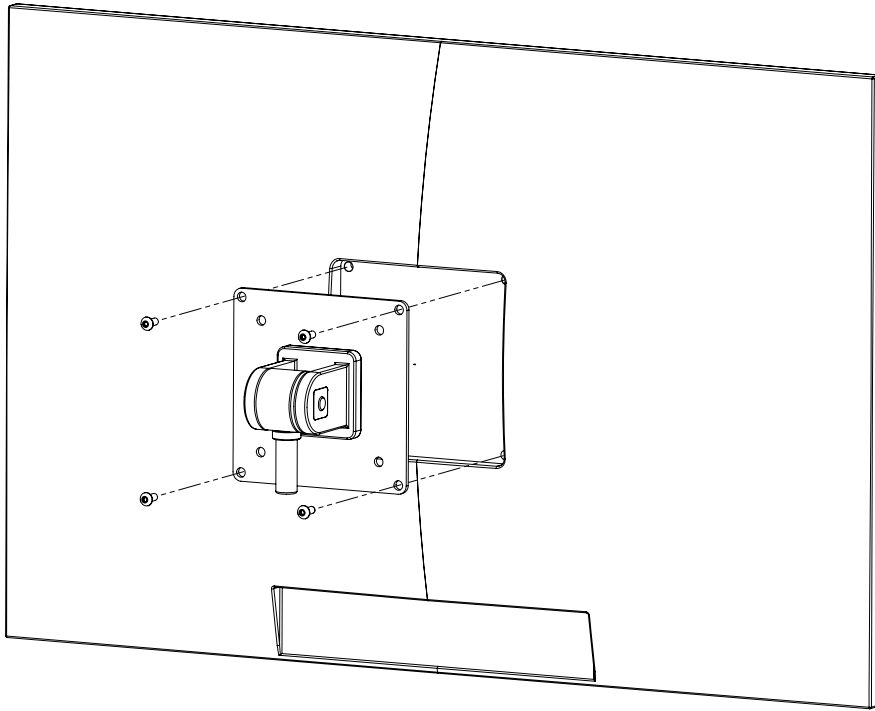
FOR BUSHING

**2**

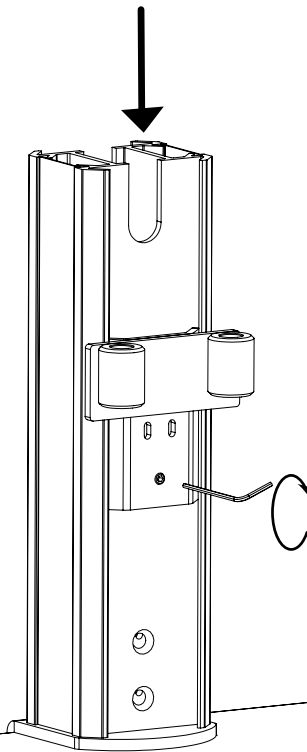


FOR CLAMP

3

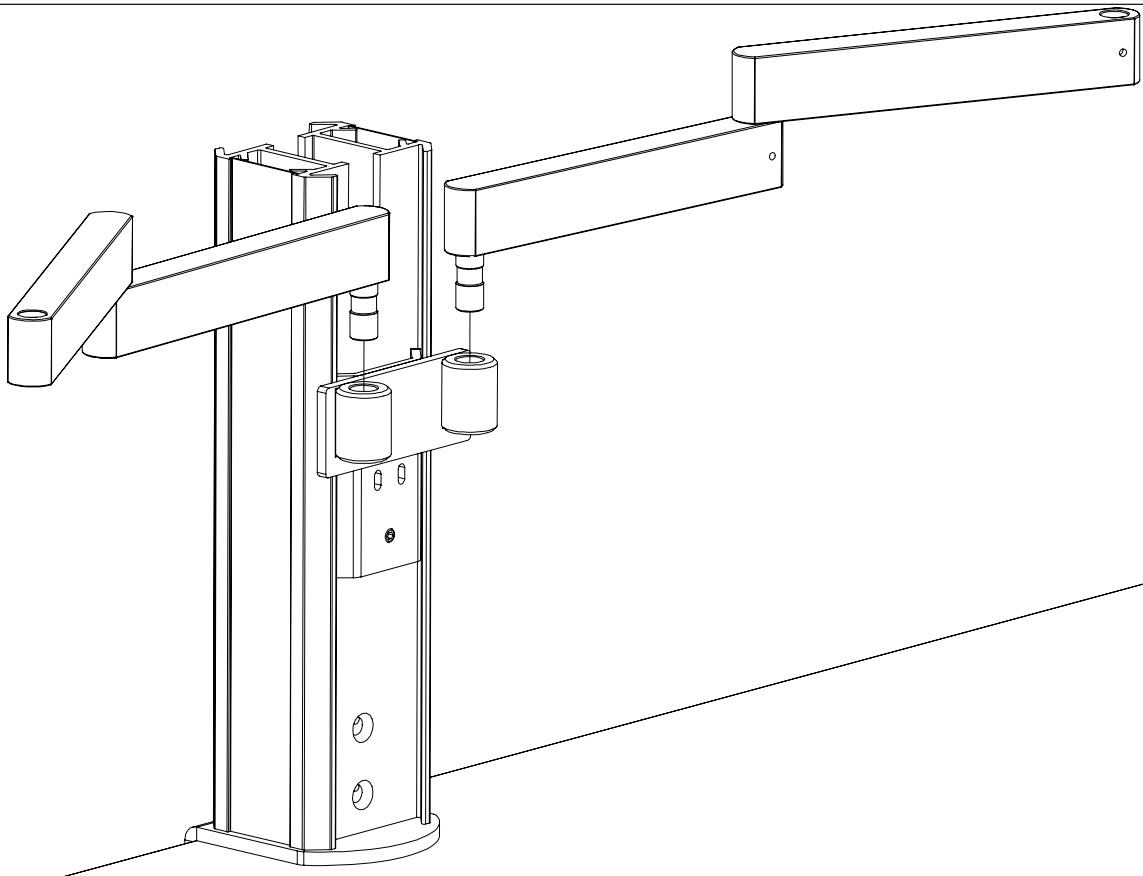


4

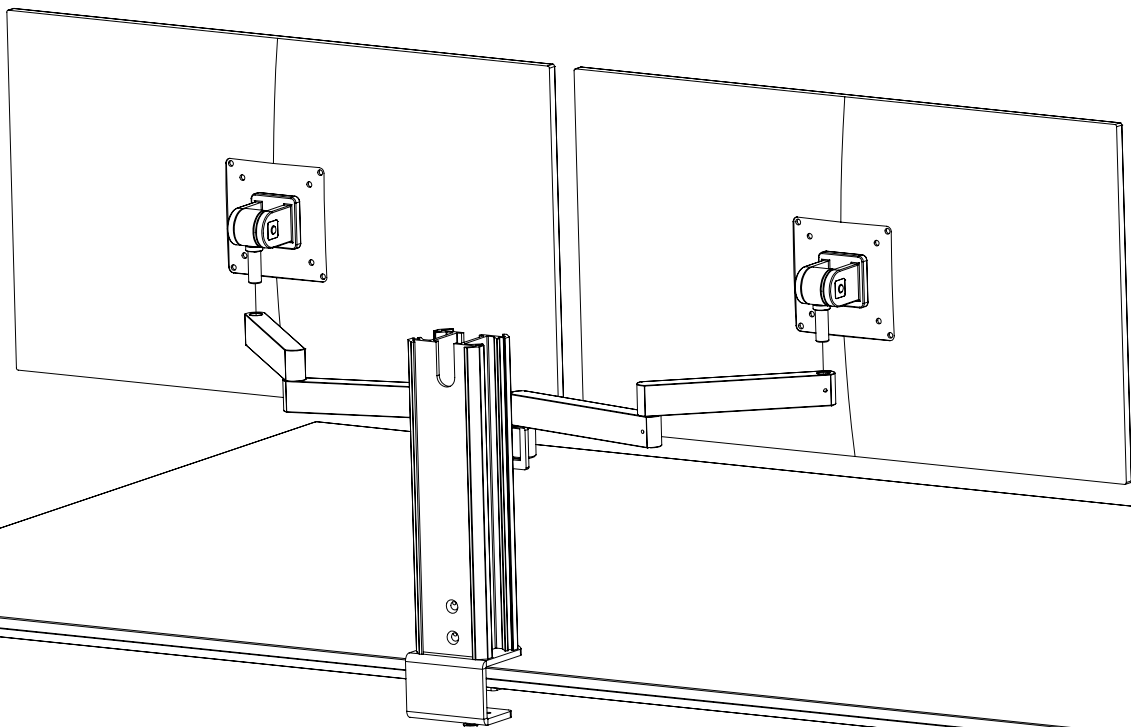


PLACE THE BRACKET IN THE DESIRED HEIGHT

5



6



PLACE YOUR MONITORS AND HIDE THE WIRES  
THROUGH THE TUBE



www.pj-production.dk

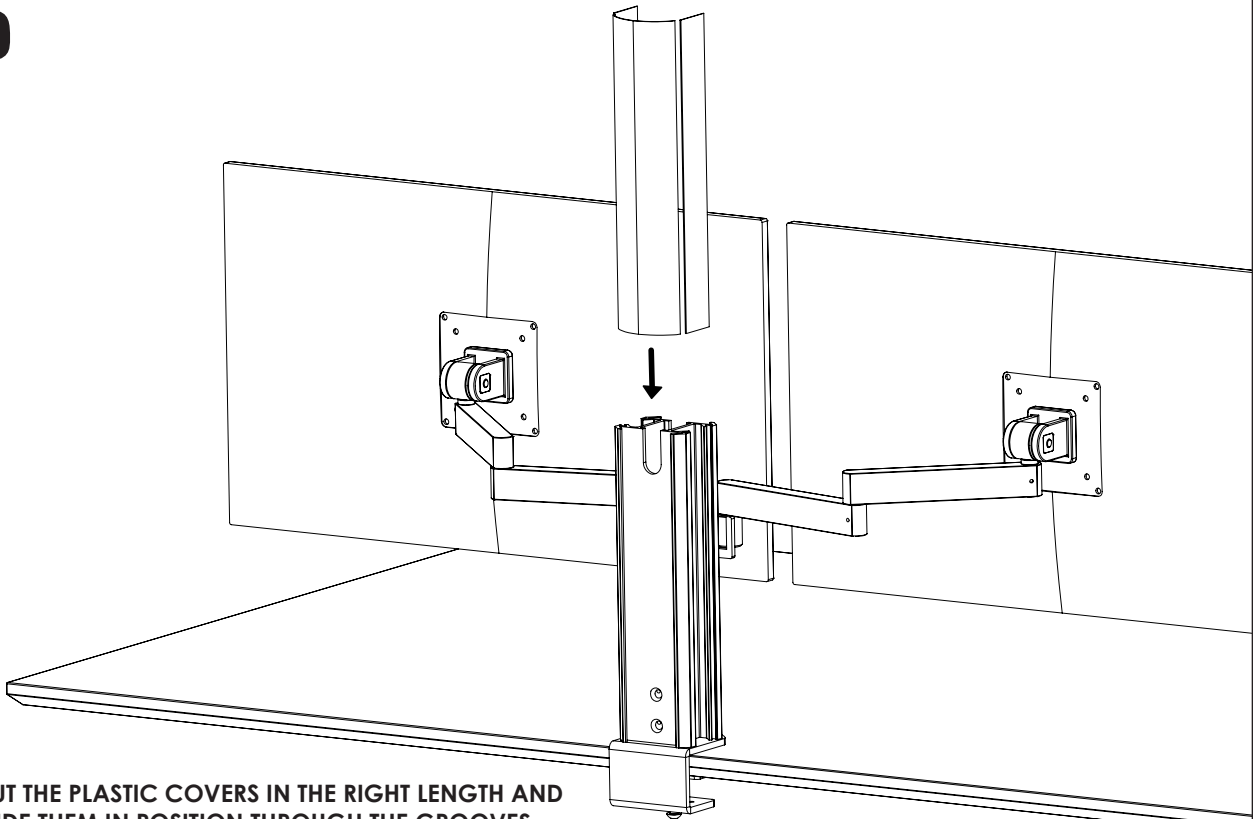
T: +45 8681 2375 / F: +45 8681 1993



M: info@pj-production.dk

5/6

# 5



CUT THE PLASTIC COVERS IN THE RIGHT LENGTH AND SLIDE THEM IN POSITION THROUGH THE GROOVES.

# 6

