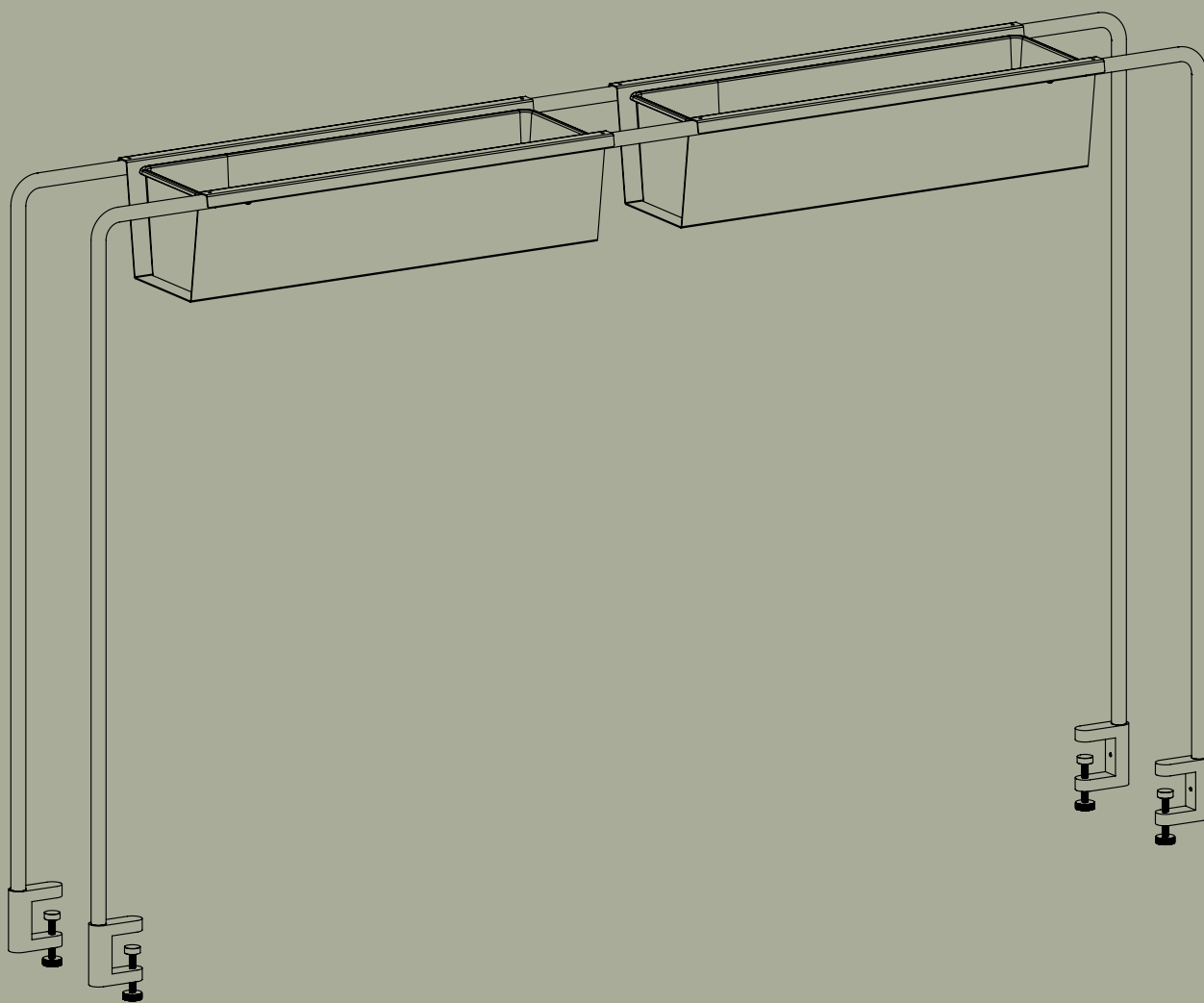


# FLOWER HOUSE

DESIGNED BY PJ PRODUCTION & HANS THYGE & CO

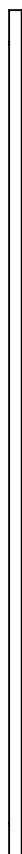


# APTO

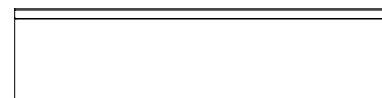
# PARTS



4 x tubes for vertically use



2 x for horizontally use



2 x trays



2 x plastic inserts



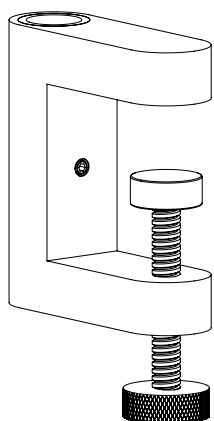
4 x socket screws

## FLOWER HOUSE

Nordic Dark Blue: 6000-0053-5008  
Danish Dusty Green: 6000-0053-7033  
Scandinavian Matte Black: 6000-0053-9000

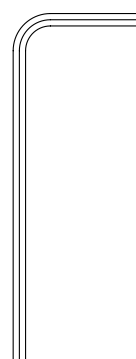
# APTO

# WHAT YOU WILL NEED



4 x MULTI CLAMPS

Nordic Dark Blue: 6000-0000-5008  
Danish Dusty Green: 6000-0000-7033  
Scandinavian Matte Black: 6000-0000-9000

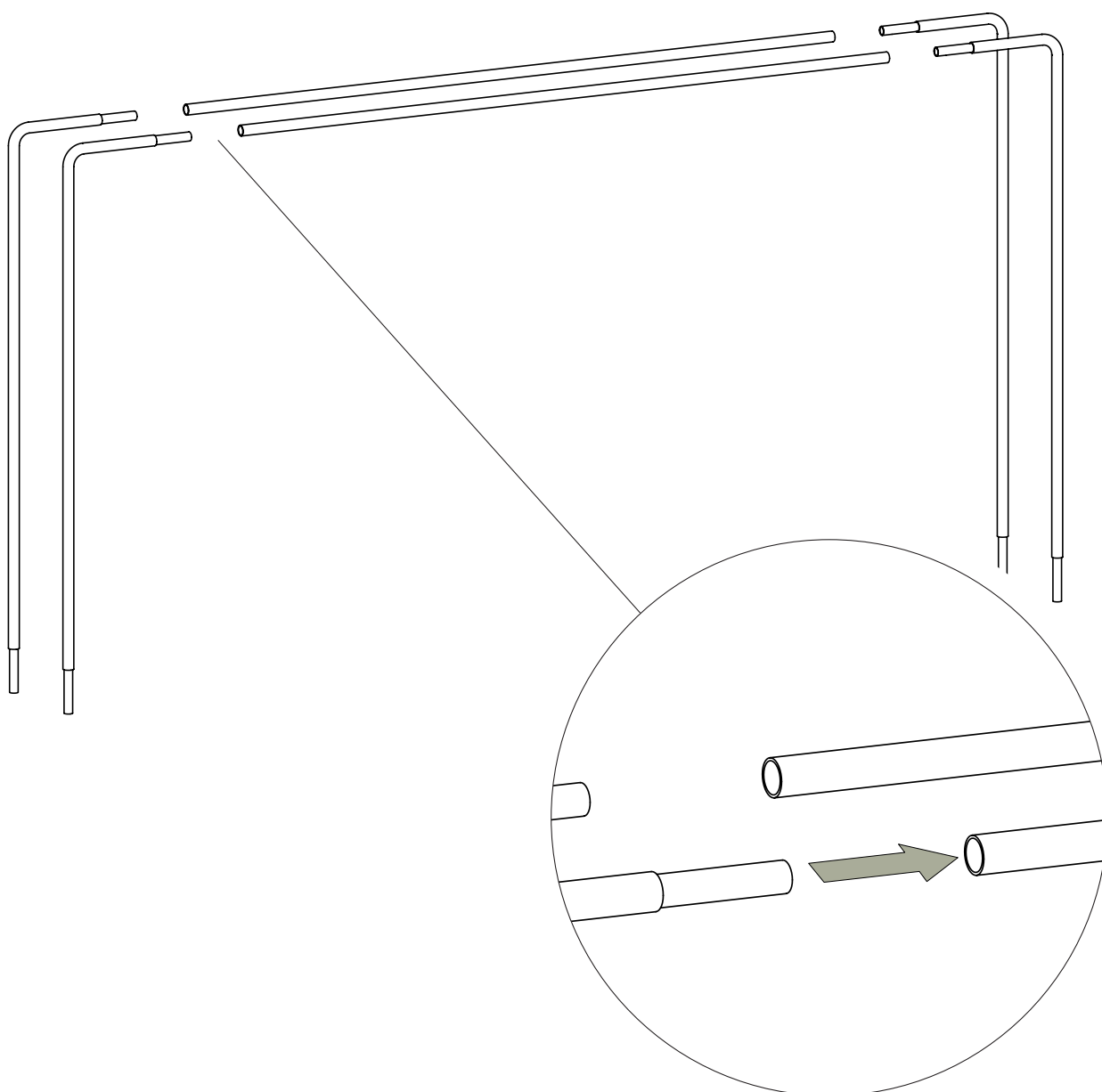


1 x ALLEN WRENCH

The Allen wrench is included in the multi clamp box

# STEP 1

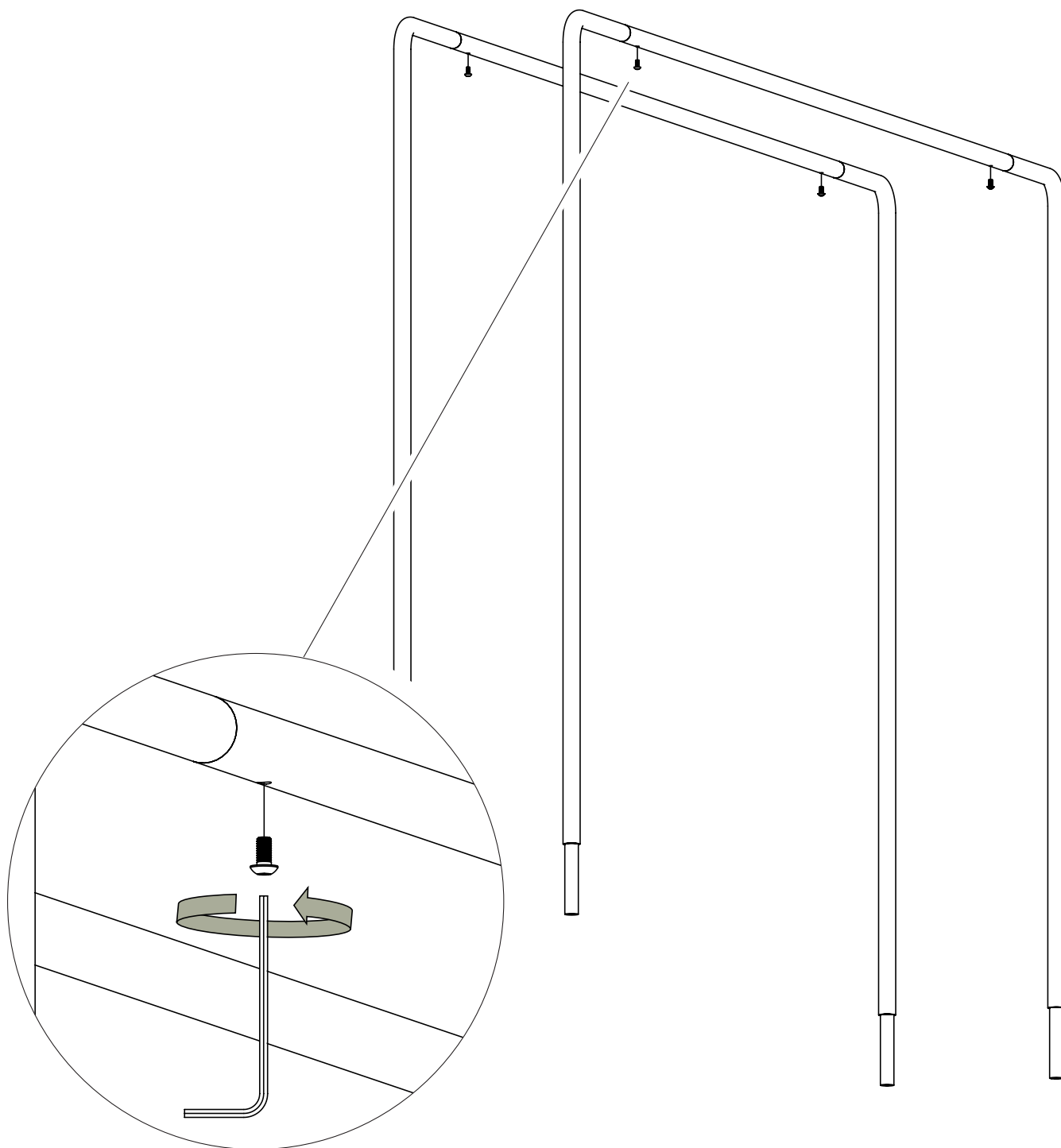
Start by aligning the four vertical tubes with the two horizontal tubes before continuing. Now connect the different tubes together by leading the four vertical tubes into the two horizontal tubes.



# APTO

## STEP 2

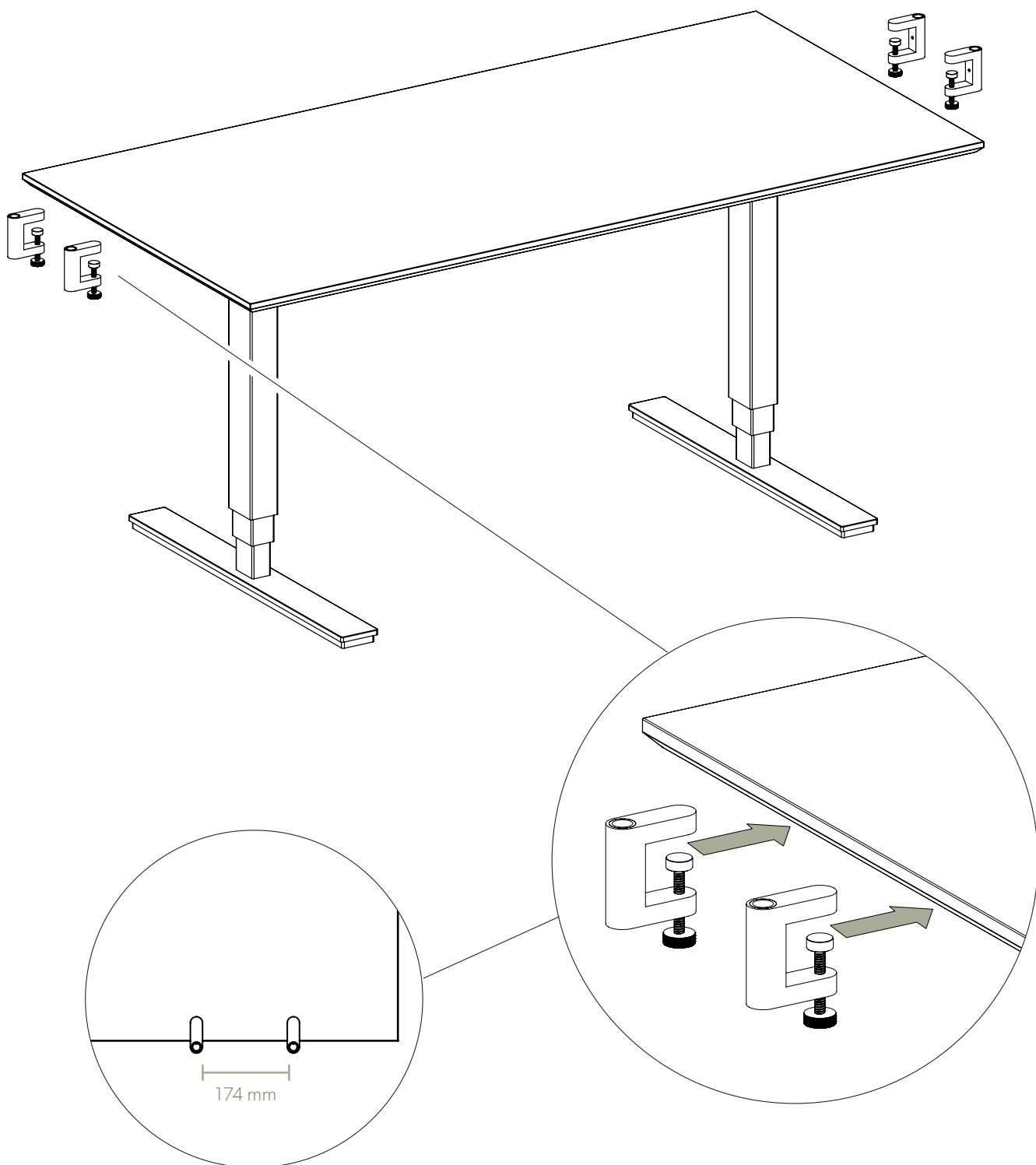
Now carefully insert the tip of the Allen wrench into the hexagon cross section of the socket screw and turn the wrench in a clockwise fashion until the socket screw has been sufficiently tightened. Repeat the process with the remaining three socket screws.



APTO

# STEP 3

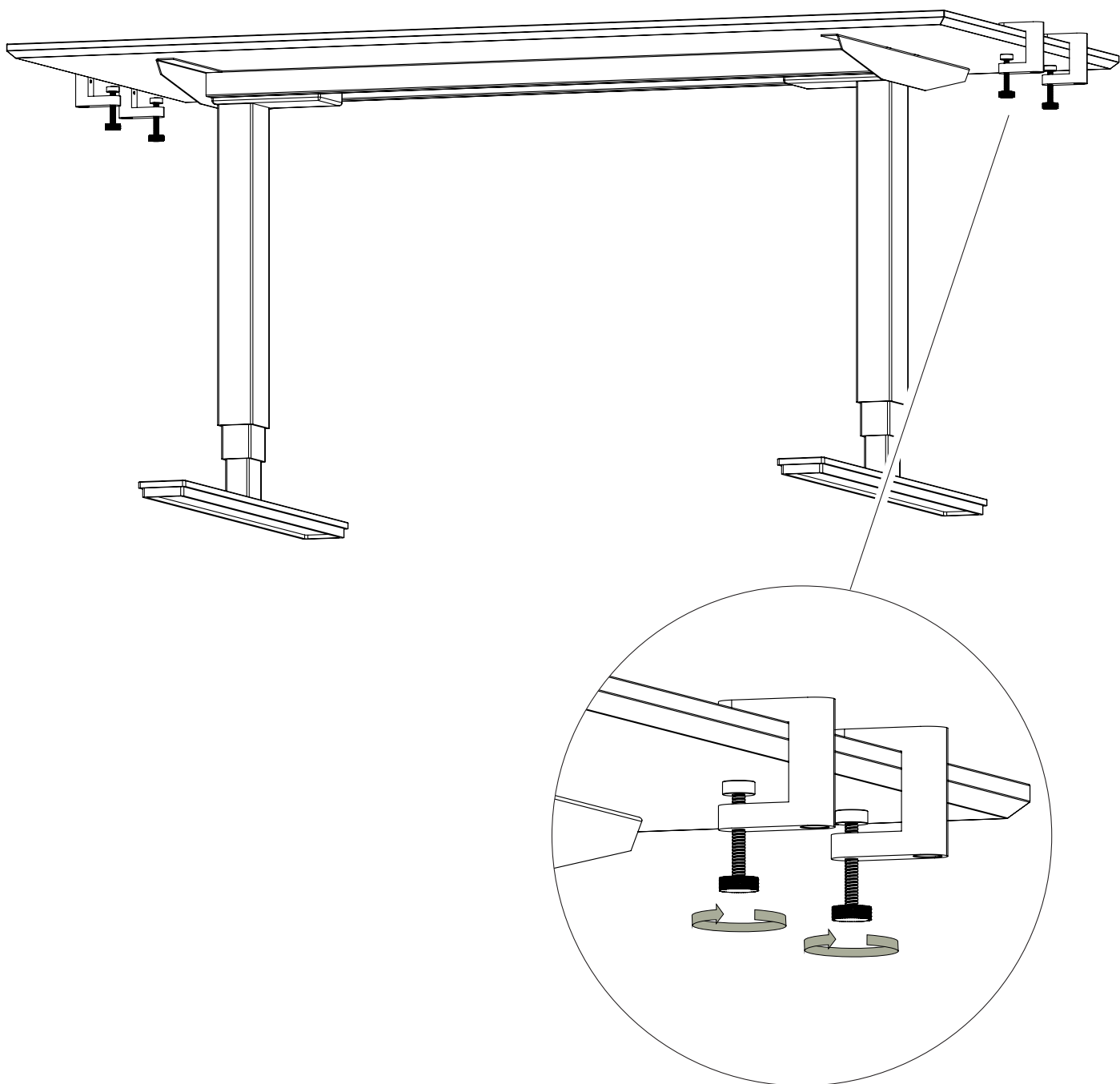
The four multi clamps can now be mounted on the preferred surface. It is noteworthy that these multi clamps must be mounted with a space on 174 mm.



# APTO

# STEP 4

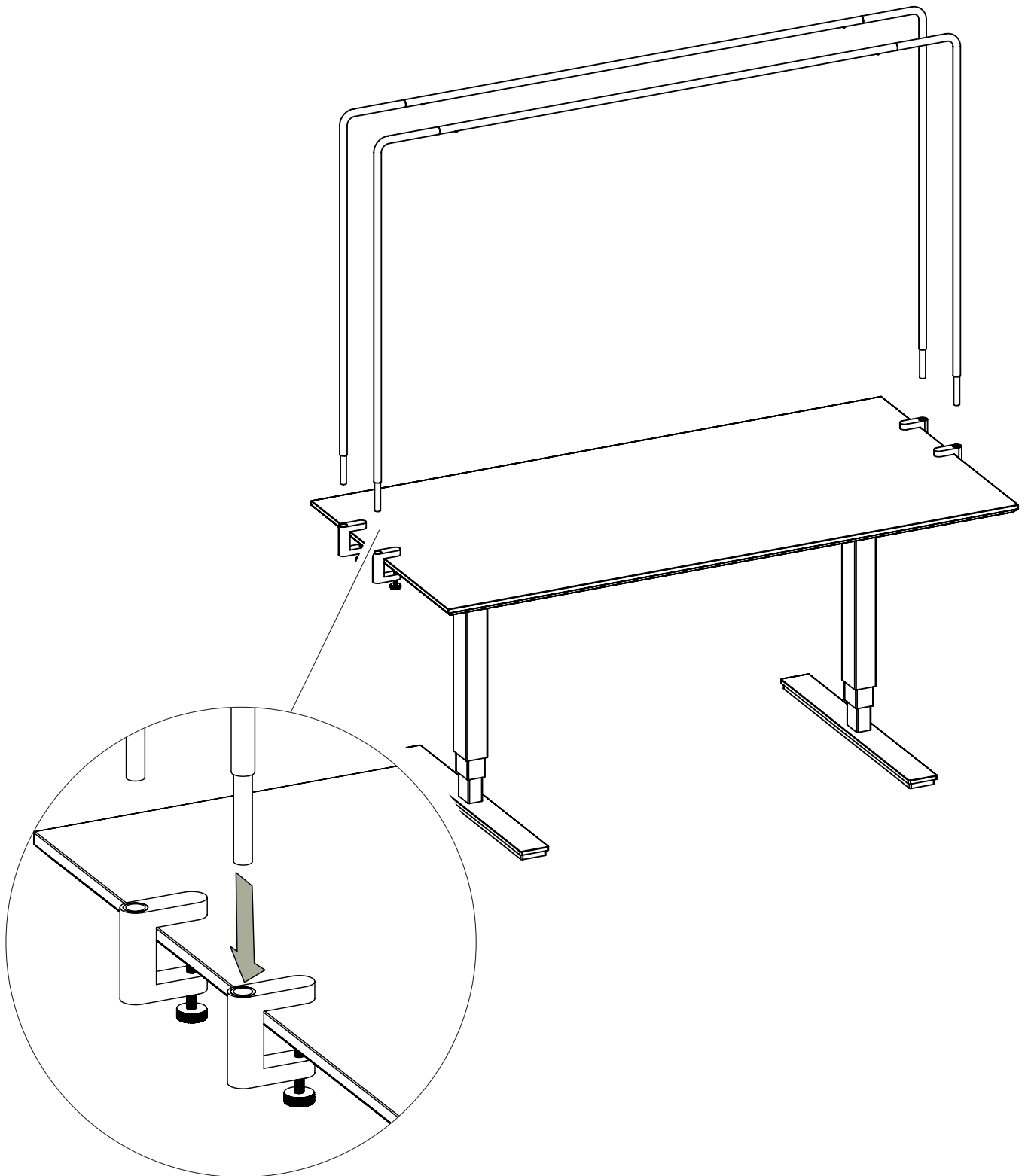
When the placement of the multi clamps is correctly, then tighten the finger screw completely.



# APTO

# STEP 5

Carefully lead the four tubes through the holes at the top of the four multi clamps.

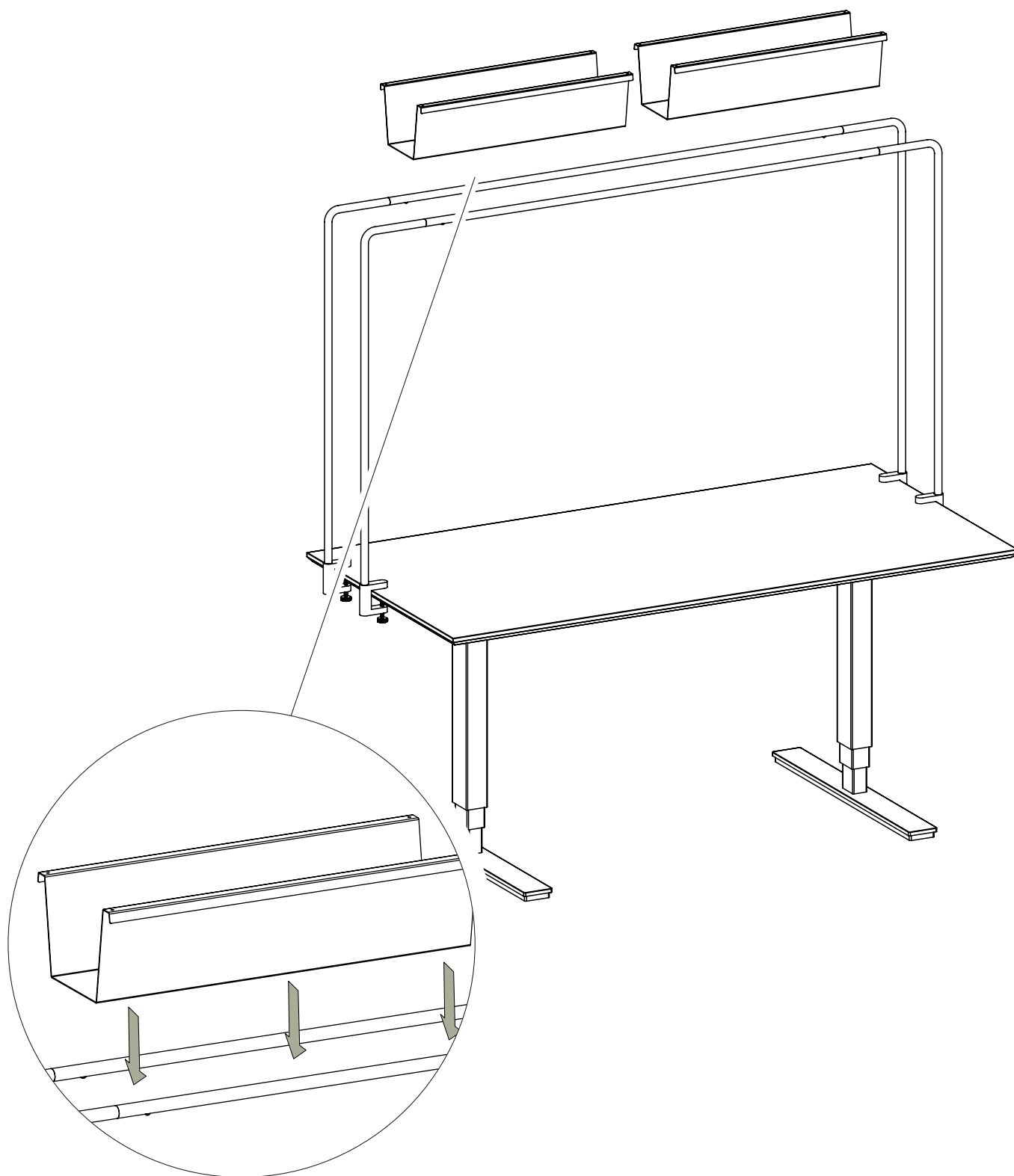


# APTO



## STEP 6

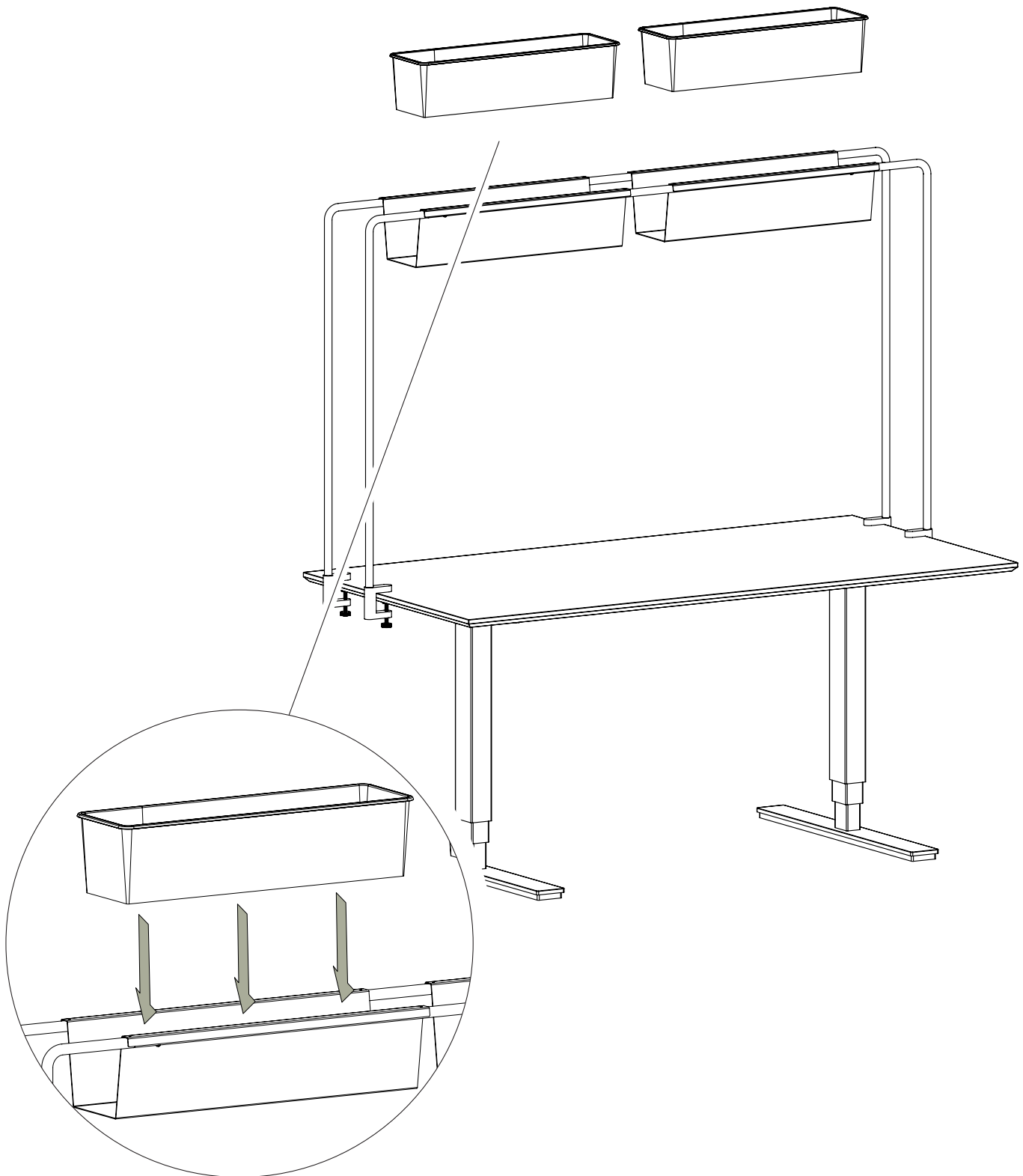
Now carefully lead the trays along the horizontal tubes until the placement of the trays are fastened and secured correctly amongst the two horizontal tubes.



# APTO

## STEP 7

Now carefully connect the plastic inserts within the placed trays. You are now ready to plant your preferred flowers and/or plants. The flowers can easily be watered either by taking the plastic insert down or by watering the flowers while keeping the position in the flower house.



# APTO

Hårup Skovej 2, 8600 Silkeborg, Danmark  
+ 45 86 81 23 75 // [www.aptocollection.dk](http://www.aptocollection.dk)

APTO  
DANISH DESIGN