



# MONITOR ARM MODEL “HEAVY”

## ADRESS

Hårup Skovvej 2  
8600 Silkeborg  
Danmark

## CONTACT

+ 45 86 81 23 75  
info@pj-production.dk

## WEBSITES

[www.pj-production.dk/eng](http://www.pj-production.dk/eng)  
[www.aptocollection.dk/eng](http://www.aptocollection.dk/eng)



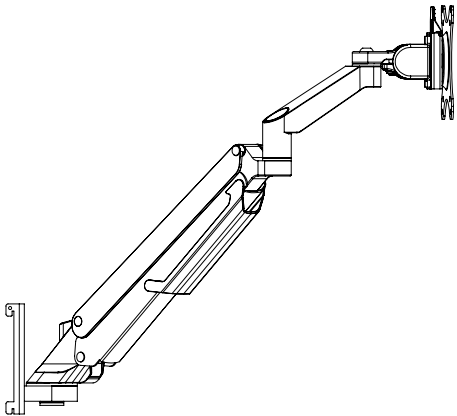
# MONITOR ARM MODEL "HEAVY"

FOR ONE MONITOR

Our gas spring monitor arm ensures effortless height adjustment. This version is tailored for extra-heavy monitors, including curved monitors. The monitor arm comes with both desk clamp and through-desk options. This system not only ensures flexibility but also provides a professional and user-friendly experience.

## CHARACTERISTCA :

- This product is suitable for screens ranging from 10"-50".
- A weight capacity of 9-20 kg.
- It provides an adjustment range with an angle from -90 degrees to -15 degrees.



# MONITOR ARM MODEL “HEAVY”

Monitor Arm Model 'Heavy' for a single screen.

4408-9005

The monitor arm is delivered with two installation options, - through-desk mount and desk clan, both options included as standard.

Maximum height: 534 mm., the monitor exclusive  
Dimensions for the drill/hole: Minumum Ø8,5 mm. & maximum Ø65 mm.

The gas arm is suitable for a monitor ranging from 10" to 50" and supports a weight capacity of 9-20 kg.

It offers an adjustable angle range from -90 degrees to +15 degrees.  
The product is compatible with VESA 100×100 (included).

