

REVOLVING PEN TRAY



ADDRESS

Hårup Skovvej 2
8600 Silkeborg
Denmark

CONTACT

+ 45 86 81 23 75
info@pj-production.dk

WEBSITES

www.pj-production.dk/eng
www.aptocollection.dk/eng

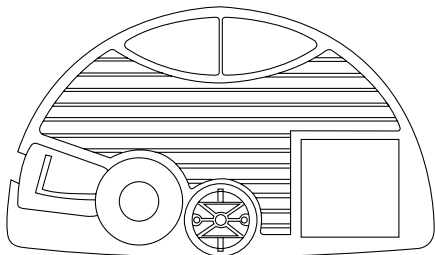


REVOLVING PEN TRAY

Our revolving tray is available in two different colours, - black and aluminium, both produced in plastic. These can be used with advantage for the majority of all office environments, especially where space is reduced. The pen tray can swing 360 degrees around its own axis due to the drawer's pivot point.

CHARACTERISTCA:

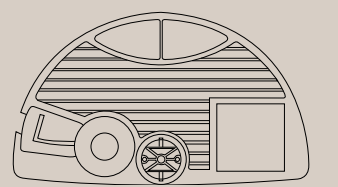
- Good storage for office supplies
- 360 degree turning radius
- Does well in smaller office areas



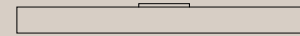
REVOLVING PEN TRAY

4030 // 4031

Outer dimensions: H: 43 mm. // B: 340 mm. // D: 200 mm



200

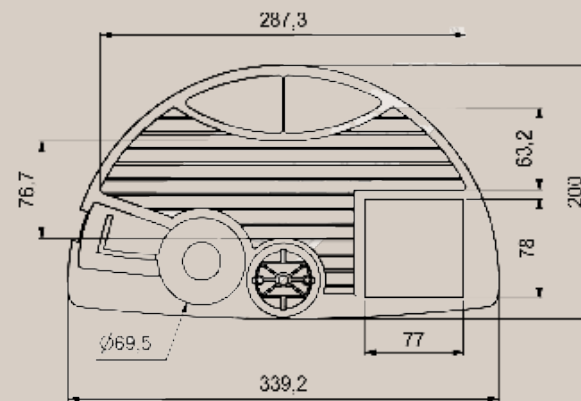


340



34

Inner dimensions:



287,3

76,7

200

63,2

78

69,5

339,2

77

